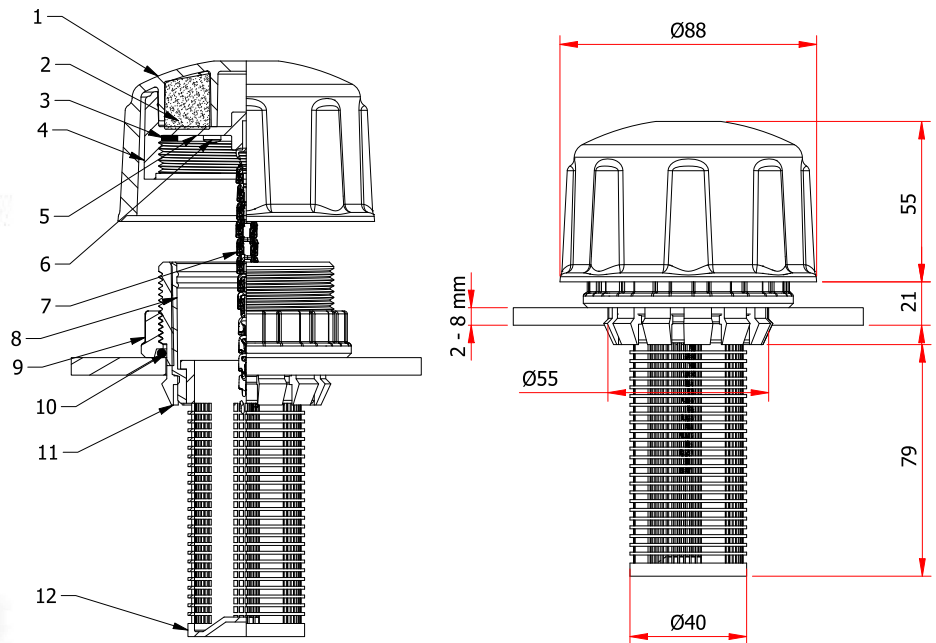


## CTR - FILLER BREATHER WITH STRAINER - TANK TOP MOUNT

Cod.	Description
CTR	Filler breather without safety chain packed in plastic bag
CTR/C	Filler breather with safety chain packed in plastic bag

plastic filler breathers



Filler breather for tank-top installation with strainer.

-**Top cap with breather:** made from Polyamide 66 black color, which is connected to the fixing base by screwing; Polyurethane foam air filter.

-**Main body:** manufactured from technopolymer black color contains threaded locking ring and inside locking ring, is placed in a pre-drilled hole ( $\varnothing 55 \text{ mm} \pm 0,3 \text{ mm}$ ) on to the tank top. Tanktop thickness must be min 2 mm. max 8 mm. With this model drilling and tapping of mounting holes is

not needed. Safety chain available, which connects the cap to the body, preventing misplacements of the cap when removed.

-**Strainer:** in Polypropilene, hooked to the fixing block, for oil pre-filtration in phase of loading.

-**Maximum working temperature:** 80°C/176 °F..

-**Airflow capacity:** up to 950 Liters/min (see data and graphic p. 53).

1 Filler breather cap	7 Safety chain
2 Polyurethane air filter	8 Quick fastening coupling
3 Inner Cap threaded M60x2	9 Locking ring (esternal)
4 NBR flat seal	10 O-Ring
5 Breather holes	11 Internal locking ring
6 Self tapping screw (3x)	12 Filtering basket